



# CORK-OUT ROW

## INSTALLATION GUIDE

**RECOMMENDED TOOLS:** Tape measure, Level, Pencil, Electrical drill, and Stud finder, ½” Drill bit, 4mm allen wrench

### PACKAGE CONTENTS

QTY	Description	QTY	Description
2	Mounting Bracket	1	Display Rack
3	Rods	6	Toggle Bolts
8	4mm Allen Bolt	6	Wood Screws
6	10mm Hex Screw	6	Screw Caps

### INSTALLATION STEPS

**IMPORTANT:** Before installing, check package contents for missing or damaged items.

#### STEP 1: LAY OUT RACKING ASSEMBLY

Located the two side mounting brackets and configure so that the straight portion of the bracket is on the bottom, the angled portion is facing up, and the mounting flange is facing inward.

#### STEP 2: START RACK ASSEMBLY

Assemble all rods in GREEN (refer to figure 1) by lining the rod up with the inside rod mounting hole of the left mounting bracket and screw in a 4mm Allen bolt. (Screw by hand. Do not over tighten.) Line up the rod with the inside rod mounting hole of the right mounting bracket and screw in another 4mm Allen bolt. \*Please refer to figure 1

#### STEP 3: FIND DESIRED LOCATION

Use stud finder to assist in mapping out mounting locations. Place Cork-Out Row against wall in desired location.

#### STEP 4: MARK MOUNTING HOLES

Ensure the rack is straight by placing a level on the rack. Use a pencil to mark mounting holes and set the rack aside.

#### STEP 5: DRILL MOUNTING HOLES

If there is sheet rock, drill holes at all marking places using ½” drill bit. If mounting to metal, use the 10mm Hex Self-Drilling Screws. If plywood or studs are behind the sheetrock, no pre-drill is necessary.

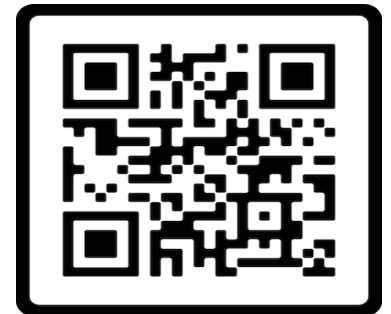
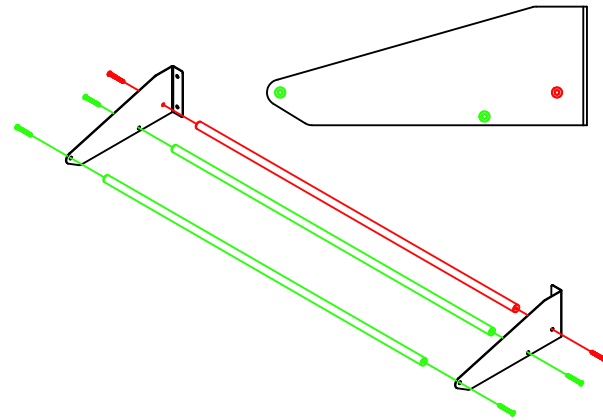
#### STEP 6: ASSEMBLE HARDWARE ONTO CORK-OUT ROW

If using toggle bolts, assemble hardware onto Cork-Out Row through the holes that are provided.

**SEE NEXT PAGE FOR CONTINUED INSTALLATION STEPS.**



\*FIGURE 1



## INSTALLATION STEPS CONTINUED

### STEP 7: ALIGN HARDWARE TO HOLES AND SECURE

Align the toggle bolts to the pre-drilled mounting holes and push the toggle bolts through the holes. Secure the Cork-Out Row by using a drill to tighten the hardware on the top right side of the Cork-Out Row. If plywood or studs are behind the sheetrock, tighten the screws with a drill directly into the wall.

**PRO TIP:** Tightening only one screw will make leveling easier.

### STEP 8: SECURE REMAINING HARDWARE

Ensure the rack is straight by placing a level on the rack. Tighten the top left screw and follow by tightening remaining screws.

**PRO TIP:** Use a 4' level to yield the best results.

### STEP 9: SECURE REMAINING ROD TO RACK

Assemble the rods in GREEN (refer to figure 2) by lining the rod up with the inside rod mounting hole of the left mounting bracket and screw in a 4mm Allen bolt. (Screw by hand. Do not over tighten.) Line up the rod with the inside rod mounting hole of the right mounting bracket and screw in another 4mm Allen bolt. \*Please refer to figure 2

### STEP 10: ADD WINE BOTTLES & ENJOY!

